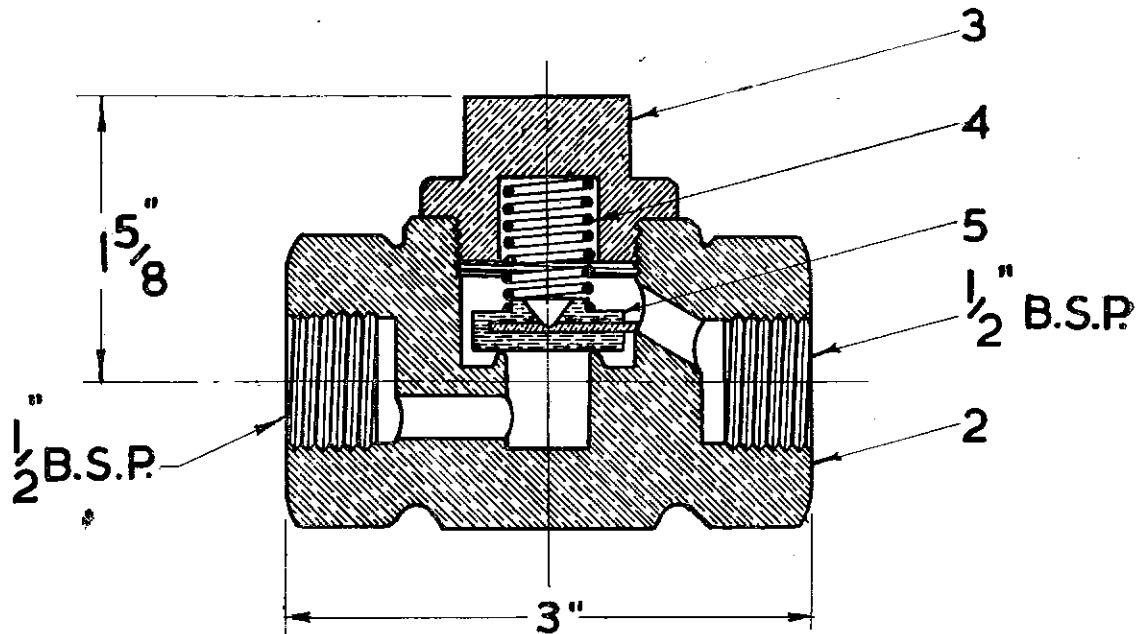


½ Inch Check Valve



Complete Piece No. C-13 (Standard 3 lbs. differential)

Weight 1½ lbs.

Complete Piece No. C-6962 (10 lbs. differential)

Weight 1½ lbs.

P. No.	Ref. No.	Description
C-14	2	Body.
C-15	3	Cap.
1214	4	Spring for Standard Valve C-13.
16231	4	Spring for 10lb. Valve C-6962.
C-6516	5	Valve.

Orders should state **PIECE NUMBER** and **NAME** of part.

WESTINGHOUSE BRAKE (AUSTRALASIA) PTY. LTD.

Head Office and Works: CONCORD WEST, N.S.W.

Postal Address: Box 21, P.O., Burwood, New South Wales

1948

THE MUNICIPAL TRAMWAYS TRUST, ADELAIDE

Received Correspondence office 30/9/49

Westinghouse Brake (Aust)

No. 217072 Dated 27/9/49